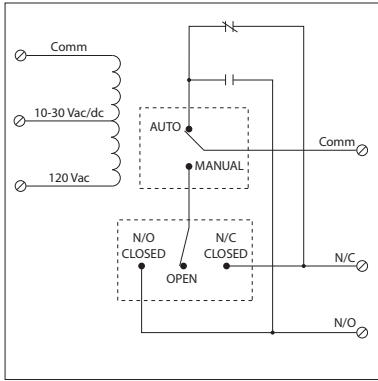


**15 AMP TRACK MOUNT CONTROL RELAYS**

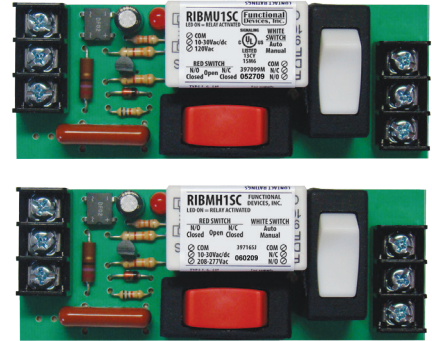
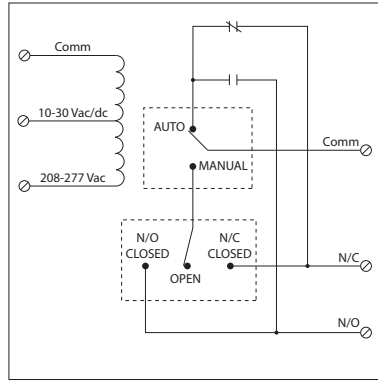
**RIBMU1SC**

4.00" Track Mount Relay 15 Amp SPDT +  
Override with 10-30 Vac/dc/120 Vac Coil



**RIBMH1SC**

4.00" Track Mount Relay 15 Amp SPDT +  
Override with 10-30 Vac/dc/208-277 Vac Coil



RELAYS

**SPECIFICATIONS**

- # Relays & Contact Type: One (1) SPDT Continuous Duty Coil
- Expected Relay Life: 10 million cycles minimum mechanical
- Operating Temperature: -30 to 140° F
- Humidity Range: 5 to 95% (noncondensing)
- Operate Time: 20ms
- Relay Status: LED On = Activated
- Dimensions: 1.500" x 4.000" x 1.750"
- Track Mount: 4.000", See MT4 Series on page 152  
**MT4 Mounting Track Sold Separately**
- Approvals: UL Listed, UL916, UL864, C-UL  
California State Fire Marshal
- Gold Flash: Yes
- Override Switch: Yes (2)

- Contact Ratings:**
- 15 Amp Resistive @ 150 Vac
  - 10 Amp Resistive @ 277 Vac
  - 480 VA Pilot Duty @ 277 Vac
  - 480 VA Ballast @ 277 Vac
  - Not rated for Electronic Ballast*
  - 600 Watt Tungsten @ 120 Vac (N/O)
  - 240 Watt Tungsten @ 120 Vac (N/C)
  - 1/3 HP @ 120-240 Vac (N/O)
  - 1/6 HP @ 120-240 Vac (N/C)
  - 1/4 HP @ 277 Vac (N/O)
  - 1/8 HP @ 277 Vac (N/C)

- Coil Current:**
- |                                |                |
|--------------------------------|----------------|
| 33 mA @ 10 Vac                 | 13 mA @ 10 Vdc |
| 35 mA @ 12 Vac                 | 15 mA @ 12 Vdc |
| 46 mA @ 24 Vac                 | 18 mA @ 24 Vdc |
| 55 mA @ 30 Vac                 | 20 mA @ 30 Vdc |
| 28 mA @ 120 Vac (RIBMU1SC)     |                |
| 39 mA @ 208-277 Vac (RIBMH1SC) |                |

- Coil Voltage Input:**
- 10-30 Vac/dc ; 120 Vac ; 50-60 Hz (RIBMU1SC)
  - 10-30 Vac/dc ; 208-277 Vac ; 50-60 Hz (RIBMH1SC)
  - Drop Out = 2.1 Vac / 2.8 Vdc
  - Pull In = 9 Vac / 10 Vdc